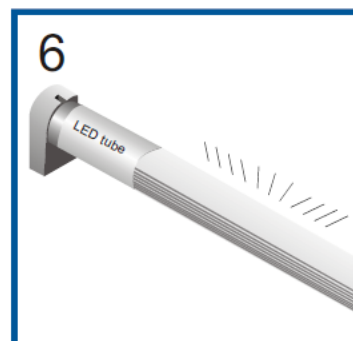
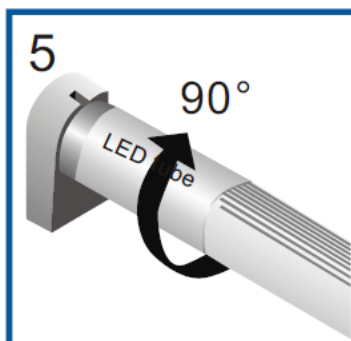
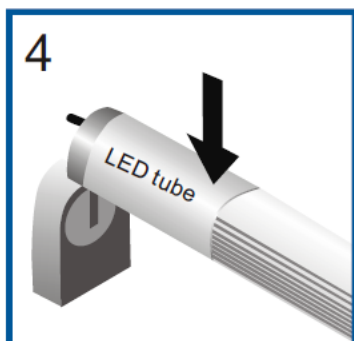
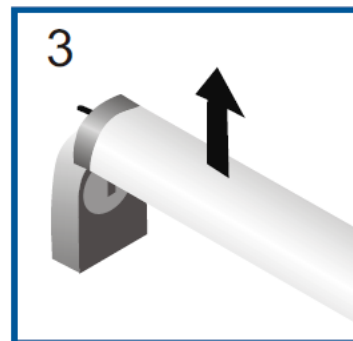
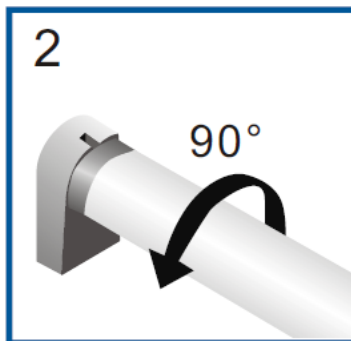
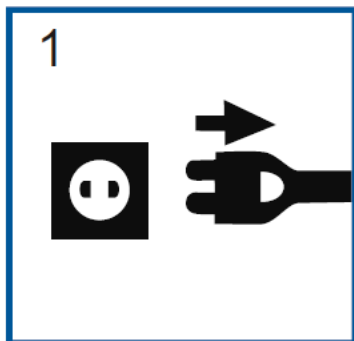


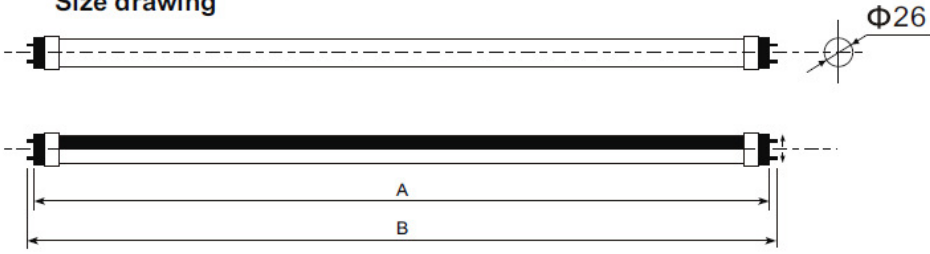
INSTALLATION INSTRUCTIONS



- a Switch off electricity;
- b Remove the conventional lamp;
- c Remove the starter;
- d Install the retrofit version starter into the starter holder;
- e Insert the retrofit version LED lamp into the lamp holder;
- f Secure the position by turning the lamp by 90° .

MECHANICAL SPECIFICATION

Size drawing

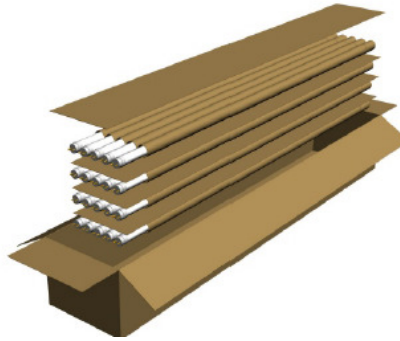
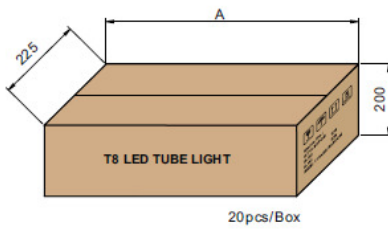


Dimension	A (mm)	B (mm)
2Ft	589	603
4Ft	1198	1212
8Ft	2367	2381

* Note: size tolerance is ± 1 mm

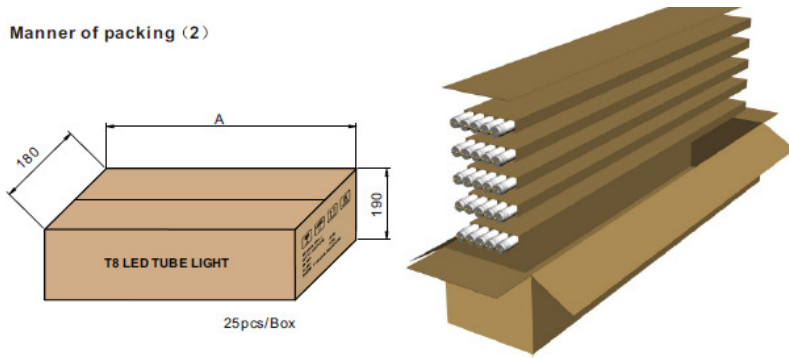
PACKAGE (FOR LED TUBE ONLY)

Manner of packing (1)



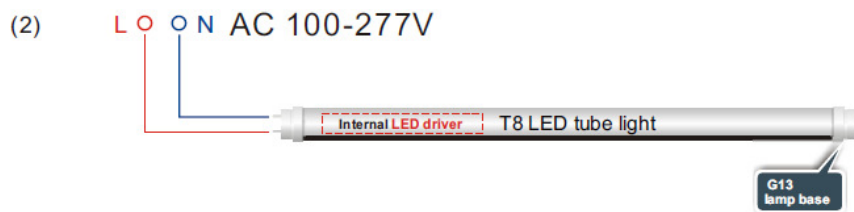
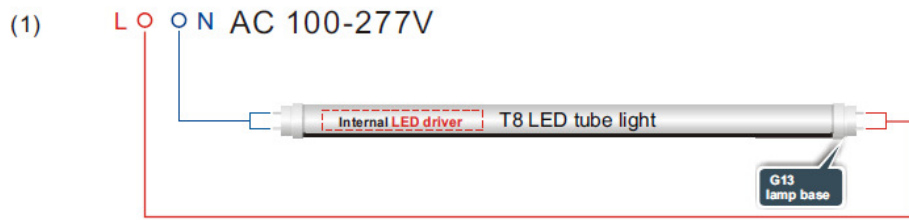
Dimension	Carton size	N.W/Carton	G.W/Carton	N.W/pcs
2Ft	640x225x200mm	3.2KG	6.4KG	0.15KG
4Ft	1250x225x200mm	6.5KG	11.5KG	0.32KG
8Ft	2410x225x100mm	6.3KG	11.7KG	0.63KG

Manner of packing (2)

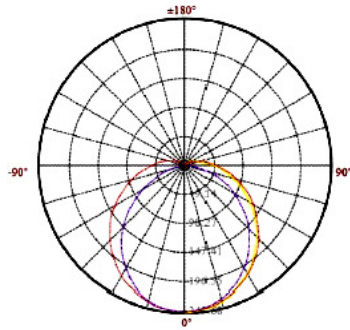


Dimension	Carton size	N.W/Carton	G.W/Carton	N.W/pcs
2Ft	631x180x190mm	3.75KG	6.4KG	0.15KG
4Ft	1239x180x190mm	8.00KG	10.8KG	0.32KG

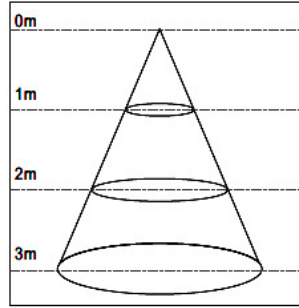
INSTALLATION



LUMINOUS INTENSITY DISTRIBUTION



Luminous intensity distribution
(unit: cd)



Beam angle of C15plane: 112.2



C15(Max): —
 C0/C180: —
 C90/C270: —

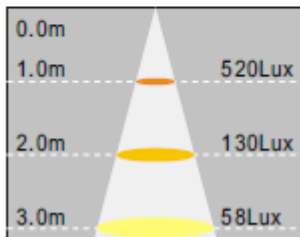


4ft(1200*Φ26mm)

16W

Clear Cover

1600lm



Parameter

Length: 2ft/ 4ft / 8ft

Rated Power : 10W/12W/16W/23W/36W

CCT: 3000K/4000K/5000K/5700K

CRI: 83

Input voltage : 100~277 VAC

L₇₀ lifetime: 100,000 hrs
